

**PLEASE CHECK WWW.MOLEX.COM FOR LATEST PART INFORMATION**

**Part Number:** [0878390019](#)  
**Status:** **Active**  
**Description:** 1.27mm (.050") Signal Pitch, 0.80mm (.031") SCSI Pitch, 1.27mm (.050") Power Pitch SAS Receptacle, Vertical, Hybrid, with Straight Solder Tab, 3.00mm (.120") PCB Thickness, Tray Packaging, without Cap, 29 Circuits, Lead free

**Documents:**

[3D Model](#) [Product Specification PS-87839-041 \(PDF\)](#)  
[Drawing \(PDF\)](#) [RoHS Certificate of Compliance \(PDF\)](#)

**Agency Certification**

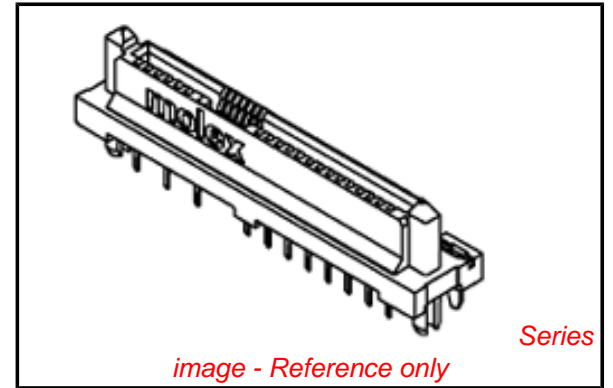
CSA LR19980  
 UL E29179

**General**

Product Family I/O Connectors  
 Series [87839](#)  
 Application Board-to-Board  
 Comments No pick and place cap  
 Component Type Receptacle  
 Product Name SAS  
 Type N/A

**Physical**

Boot Color N/A  
 Circuits (Loaded) 29  
 Circuits (maximum) 29  
 Circuits Detail Signal 7, SCSI 7, Power 15  
 Color - Resin Black  
 Durability (mating cycles max) 500  
 Flammability 94V-0  
 Gender Female  
 Keying to Mating Part Yes  
 Lock to Mating Part None  
 Material - Metal Phosphor Bronze  
 Material - Plating Mating Gold, Tin  
 Material - Plating Termination Tin  
 Material - Resin High Temperature Thermoplastic  
 Number of Rows 2  
 Orientation Vertical  
 PC Tail Length (in) 0.118 In, 0.137 In  
 PC Tail Length (mm) 2.99 mm, 3.49 mm  
 PCB Locator Yes  
 PCB Retention Yes  
 PCB Thickness Recommended (in) 0.120 In  
 PCB Thickness Recommended (mm) 3.00 mm  
 Packaging Type Tray  
 Panel Mount Yes  
 Pitch - Mating Interface (in) 0.031 In, 0.050 In  
 Pitch - Mating Interface (mm) 0.80 mm, 1.27 mm  
 Pitch - Term. Interface (in) 0.031 In, 0.050 In  
 Pitch - Term. Interface (mm) 0.80 mm, 1.27 mm  
 Plating min: Mating (µin) 30  
 Plating min: Mating (µm) 0.76  
 Plating min: Termination (µin) 102  
 Plating min: Termination (µm) 2.54



**EU RoHS**

**ELV and RoHS Compliant**  
**REACH SVHC**  
 Not Reviewed  
**Halogen-Free Status**  
**Not Reviewed**

**China RoHS**



**Need more information on product environmental compliance?**

Email [productcompliance@molex.com](mailto:productcompliance@molex.com)  
 For a multiple part number RoHS Certificate of Compliance, [click here](#)

Please visit the [Contact Us](#) section for any non-product compliance questions.

**Search Parts in this Series**

[87839Series](#)

**Mates With**

Device Plugs [87679](#) , [87799](#) , [87703.](#) , SFF 8482 Hard Disk Drive and Backplane Plug

Polarized to Mating Part	Yes
Polarized to PCB	Yes
Surface Mount Compatible (SMC)	Yes
Temperature Range - Operating	0°C to +55°C
Termination Interface: Style	Surface Mount, Through Hole
Waterproof / Dustproof	No
Wire Size AWG	N/A

### **Electrical**

Current - Maximum per Contact	1.5A
Shielded	No
Voltage - Maximum	30V

### **Solder Process Data**

Duration at Max. Process Temperature (seconds)	10
Lead-free Process Capability	Reflow Capable (SMT only)
Max. Cycles at Max. Process Temperature	1
Process Temperature max. C	260

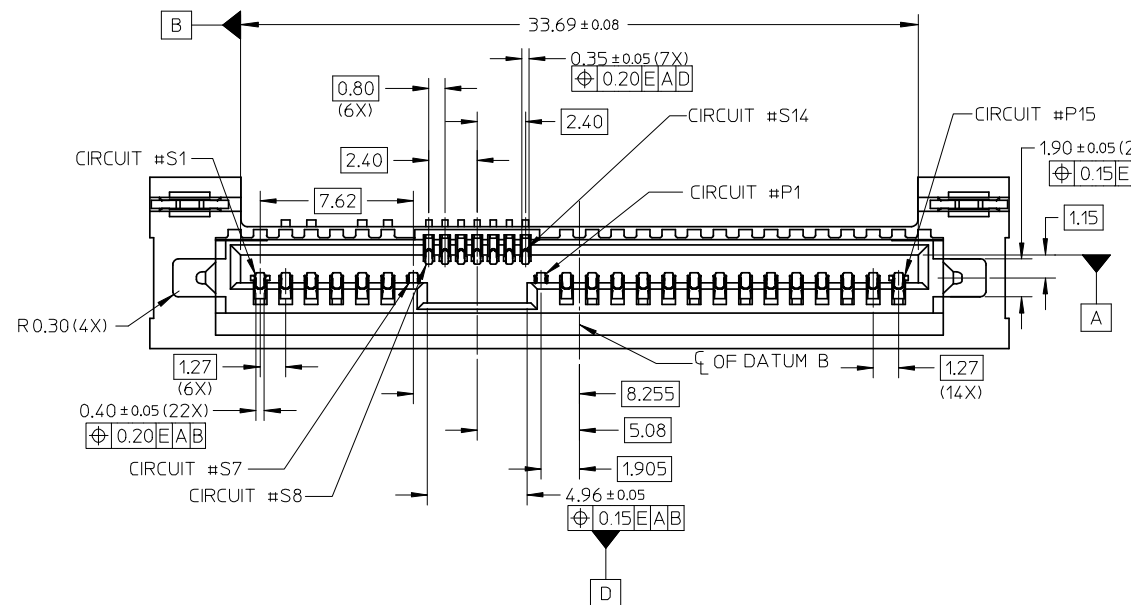
### **Material Info**

#### **Reference - Drawing Numbers**

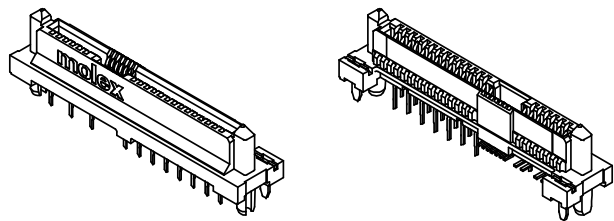
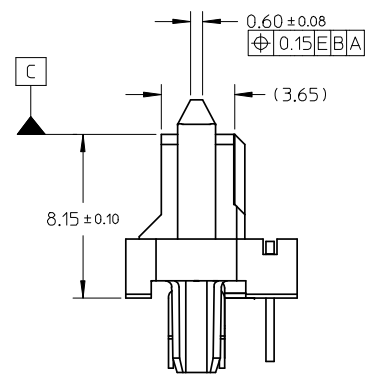
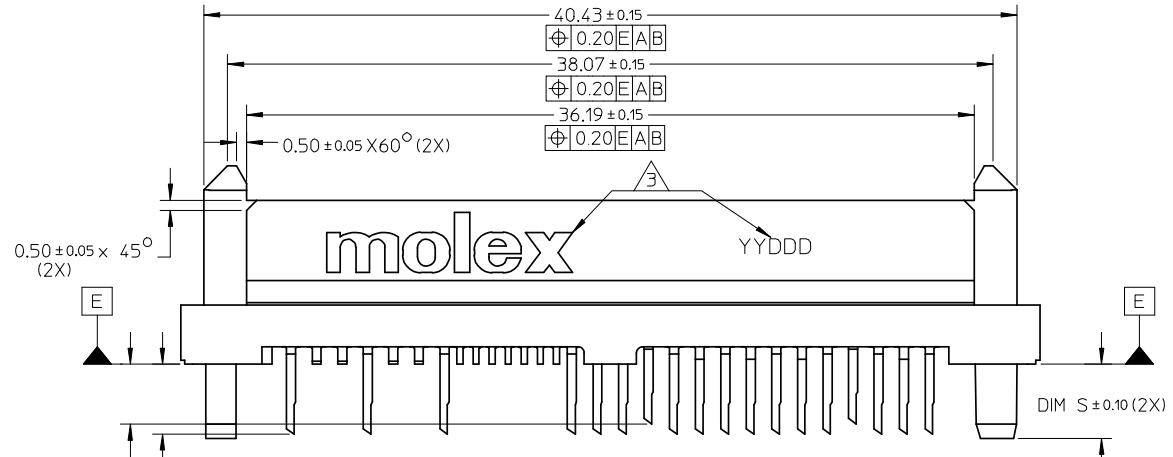
Product Specification	PS-87839-041
Sales Drawing	SD-87839-040

This document was generated on 04/09/2010

**PLEASE CHECK [WWW.MOLEX.COM](http://WWW.MOLEX.COM) FOR LATEST PART INFORMATION**

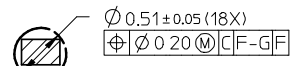
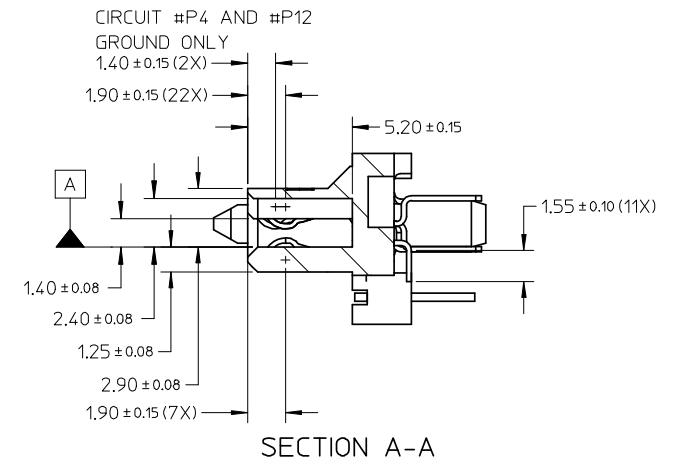
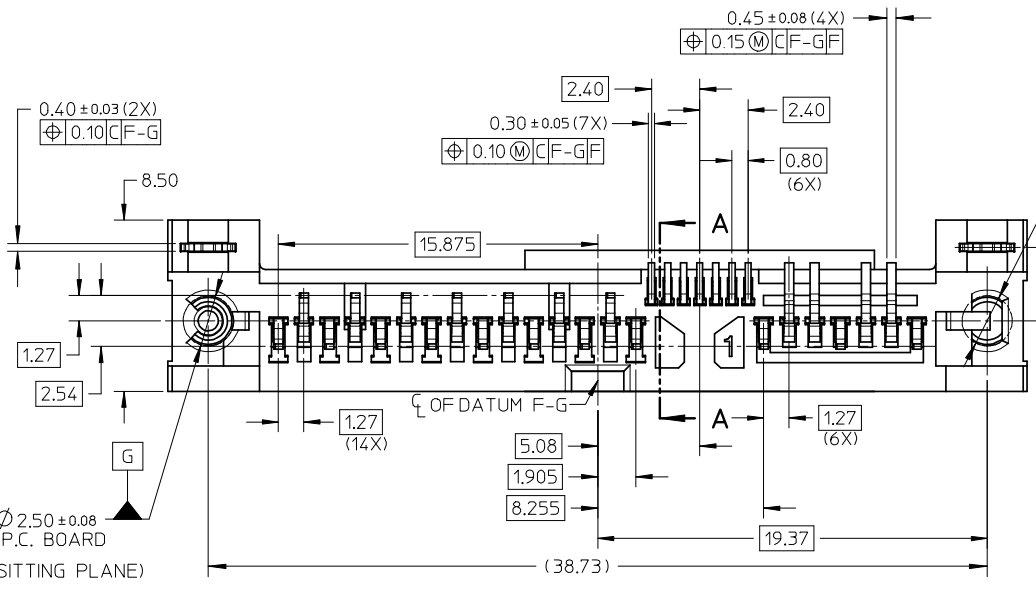
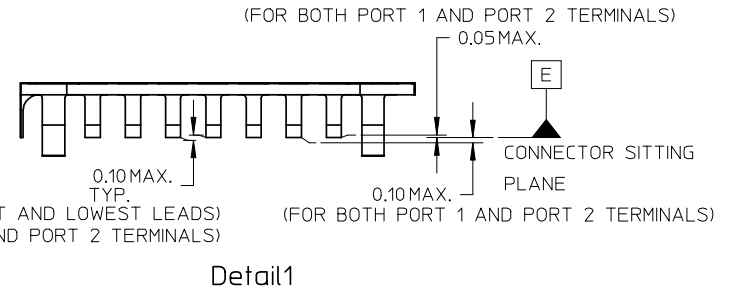
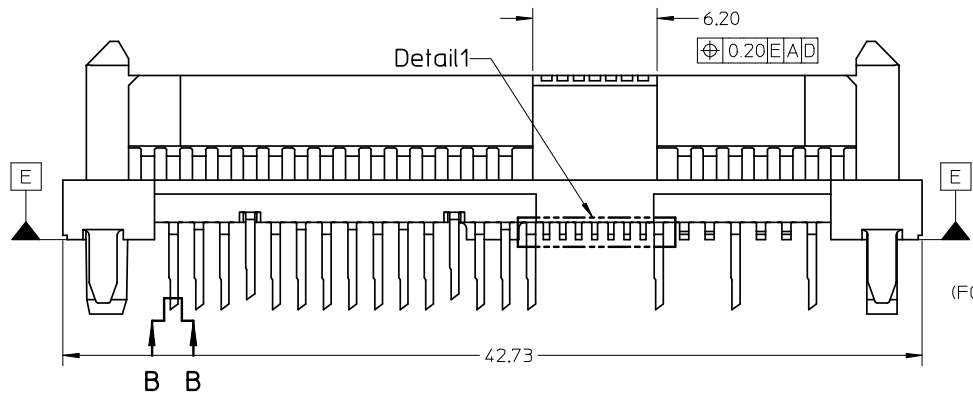


- NOTES:
- MATERIAL: LIQUID CRYSTALLINE POLYMER (LCP), GLASS FILLED, UL 94V-0, COLOR: BLACK  
TERMINAL: COPPER ALLOY
  - PLATING:  
CONTACT:  $0.76 \mu\text{m}$  MIN. SELECTIVE GOLD OVER  $1.27 \mu\text{m}$  MIN. NICKEL UNDERPLATE.  
SOLDERTAIL:  $2.54 \mu\text{m}$  MIN. TIN OVER  $1.27 \mu\text{m}$  MIN. NICKEL UNDERPLATE.
  - MOLEX LOGO AND DATE CODE LOCATED APPROXIMATELY AS SHOWN.
  - PACKAGING: SEE TABLE
  - PRODUCT IS COMPLIANT TO RoHS DIRECTIVE WITH THE FOLLOWING BANNED SUBSTANCES - LEAD, MERCURY, CADMIUM, HEXAVALENT CHROMIUM, POLYBROMINATED BIPHENYLS AND POLYBROMINATED DIPHENYL ETHERS.
  - PRODUCT SPECIFICATION PS-87839-041 APPLIES.
  - MATES WITH: SFF-8482 PLUG  
SATA PLUG SERIES: 87679, 87703, 87799



UPDATE DRAWING EC NO: S2008-0663 2008/02/14 DRW:KHLIM CHKD:CGOH 2008/02/15 APPR:KCLING 2008/02/18	QUALITY SYMBOLS ▽=0 ◻=0	GENERAL TOLERANCES (UNLESS SPECIFIED)		DIMENSION STYLE MM ONLY		SCALE NTS	DESIGN UNITS METRIC	THIRD ANGLE PROJECTION	
				mm	INCH	DRAWN BY DKOH	DATE 2004/11/23	TITLE SERIAL ATTACH SCSI RECEPTACLE, HYBRID STANDARD HEIGHT	
A6	REV	4 PLACES	± ---	± ---	CHECKED BY KCLING	DATE 2004/12/01	MOLEX INCORPORATED		
		3 PLACES	± ---	± ---	APPROVED BY SKTOH	DATE 2004/12/01	DOCUMENT NO. SD-87839-040		
		2 PLACES	± 0.20	± ---	MATERIAL NO. SEE TABLE		SHEET NO. 1 OF 4		
		1 PLACE	± ---	± ---	DRAFT WHERE APPLICABLE MUST REMAIN WITHIN DIMENSIONS		THIS DRAWING CONTAINS INFORMATION THAT IS PROPRIETARY TO MOLEX INCORPORATED AND SHOULD NOT BE USED WITHOUT WRITTEN PERMISSION		

10 9 8 7 6 5 4 3 2 1



SECTION B-B

UPDATE DRAWING	2008/02/14	2008/02/15	2008/02/18
EC NO: S2008-0663	DRW:KHLIM	CHKD:CGOH	APPR:KCLING
REV	DESCRIPTION	QUALITY SYMBOLS	
A6		$\nabla = 0$ $\sphericalangle = 0$	

GENERAL TOLERANCES (UNLESS SPECIFIED)	mm	INCH
	4 PLACES ± ---	± ---
	3 PLACES ± ---	± ---
	2 PLACES ± 0.20	± ---
	1 PLACE ± ---	± ---
ANGULAR ± 3 °		
DRAFT WHERE APPLICABLE MUST REMAIN WITHIN DIMENSIONS		

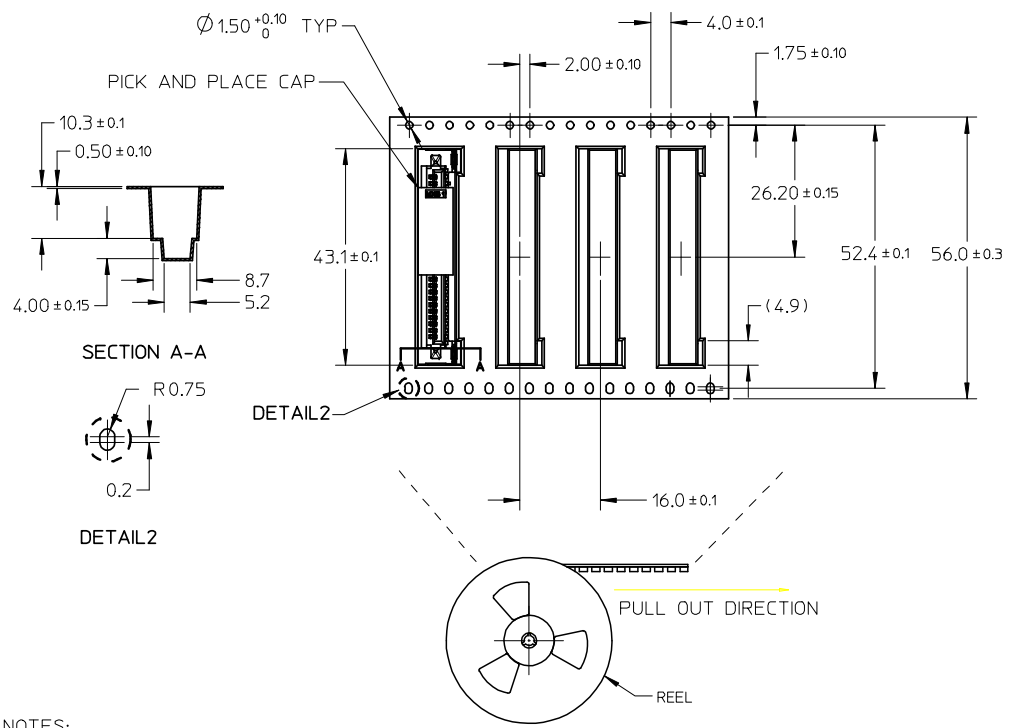
DIMENSION STYLE		SCALE	DESIGN UNITS	THIRD ANGLE PROJECTION
MM ONLY		NTS	METRIC	
DRAWN BY	DATE	TITLE		
DKOH	2004/11/23	SERIAL ATTACH SCSI RECEPTACLE, HYBRID STANDARD HEIGHT		
CHECKED BY	DATE	MOLEX INCORPORATED		
KCLING	2004/12/01	MOLEX INCORPORATED		
APPROVED BY	DATE	DOCUMENT NO.		
SKTOH	2004/12/01	SD-87839-040		
MATERIAL NO.	SEE TABLE	SHEET NO.		
		2 OF 4		

SERIAL ATTACH SCSI RECEPTACLE, HYBRID STANDARD HEIGHT	
MOLEX INCORPORATED	
DOCUMENT NO.	SHEET NO.
SD-87839-040	2 OF 4

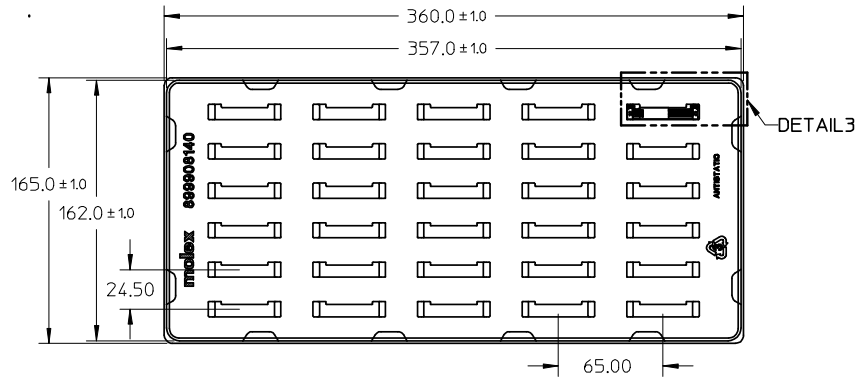
9 8 7 6 5 4 3 2 1



TAPE AND REEL PACKAGING

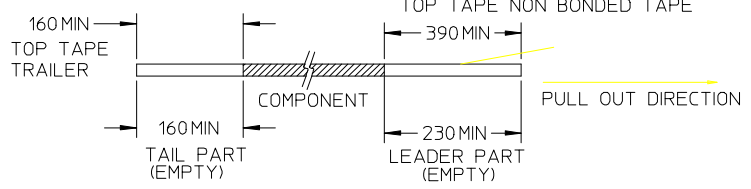


TRAY PACKAGING

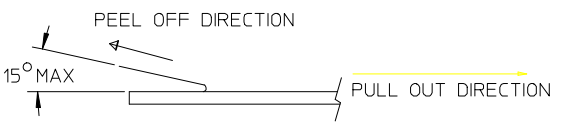


NOTES:

1. LEADER AND TRAILER TAPE



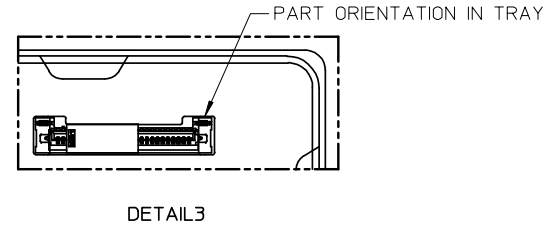
2. PEELING OFF FORCE OF THE TOP TAPE: 80gf MAX.  
(PEELING DIRECTION AS SHOWN IN FOLLOWING FIGURE)



- 3. PACKAGING QTY IS: 350 PCS/REEL
- 4. PACKAING STANDARD IS AS PER EIA-481.
- 5. CONNECTOR COMES WITH PICK AND PLACE CAP.

NOTES:

- 1. PACKAGING QTY: 30PCS/TRAY
- 2. NO PICK AND PLACE CAP



UPDATE DRAWING EC NO: S2008-0663 DRW:KHLIM CHK:D:GGH APPR:KCLING 2008/02/14 2008/02/15 2008/02/18	QUALITY SYMBOLS ▽=0 ◻=0	GENERAL TOLERANCES (UNLESS SPECIFIED)		DIMENSION STYLE	SCALE	DESIGN UNITS	THIRD ANGLE PROJECTION	
				MM ONLY	NTS	METRIC		
		4 PLACES	± ---	± ---	DRAWN BY	DATE		TITLE
		3 PLACES	± ---	± ---	DKOH	2004/11/23		SERIAL ATTACH SCSI RECEPTACLE, HYBRID STANDARD HEIGHT
2 PLACES	± 0.20	± ---	CHECKED BY	DATE				
1 PLACE	± ---	± ---	KCLING	2004/12/01	MOLEX INCORPORATED			
ANGULAR ± 3 °			APPROVED BY	DATE				
DRAFT WHERE APPLICABLE MUST REMAIN WITHIN DIMENSIONS			SKTOH	2004/12/01	MATERIAL NO. SEE TABLE	DOCUMENT NO. SD-87839-040	SHEET NO. 4 OF 4	
THIS DRAWING CONTAINS INFORMATION THAT IS PROPRIETARY TO MOLEX INCORPORATED AND SHOULD NOT BE USED WITHOUT WRITTEN PERMISSION								